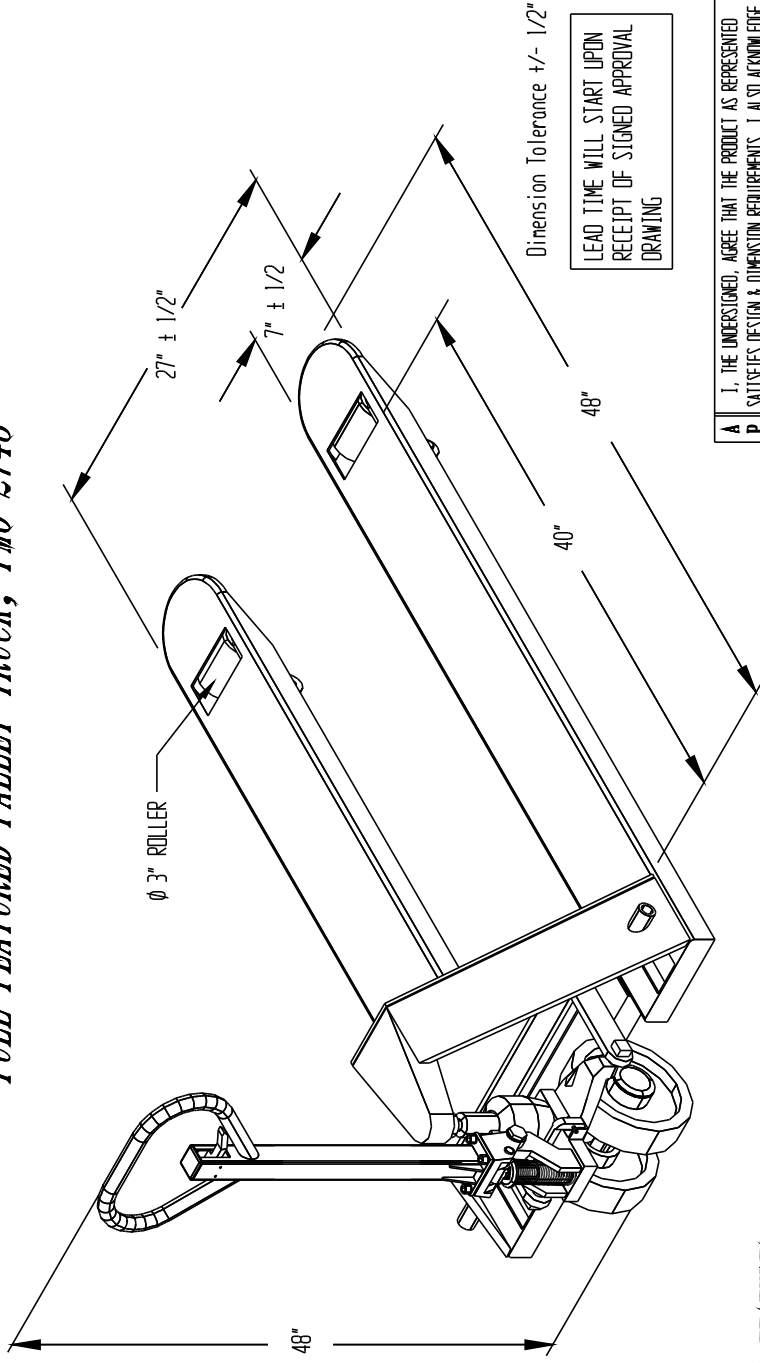


FULL FEATURED PALLET TRUCK, PM6-2748



Dimension Tolerance +/- 1/2"
LEAD TIME WILL START UPON RECEIPT OF SIGNED APPROVAL DRAWING

I, THE UNDERSIGNED, AGREE THAT THE PRODUCT AS REPRESENTED SATISFIES DESIGN & DIMENSION REQUIREMENTS. I ALSO ACKNOWLEDGE MY DUTY TO CONFIRM PRODUCT & INSTALLATION COMPLIANCE WITH ALL APPLICABLE FEDERAL, STATE AND LOCAL REGULATIONS & STANDARDS.
ALL SPECIAL UNITS ARE NON-RETURNABLE
 () As drawn () As marked
 Signed: _____ Date: _____
LEAD TIME WILL START UPON RECEIPT OF SIGNED APPROVAL DRAWING

STANDARD FEATURES

- MODEL NUMBER: PM6-2748
- OVERALL FORK WIDTH IS 27 INCHES
- OVERALL FORK LENGTH IS 48 INCHES
- CAPACITY IS 6,000 LBS
- LOWERED HEIGHT IS 2 7/8 INCHES
- RAISED HEIGHT IS 7 3/4 INCHES

SPECIAL FEATURES

NONE

FOR INTERNAL USE ONLY		DISTRIBUTOR'S NAME:	
PROJECT SIGN OFF	SALES	VESTIL MFG	
ENG	DATE: -	P.O.#: -	
FAB.	REFERENCE: -	V.O.#: -	
POWER	SCALE: -	SALES: -	
	QUOTE LEADTIME: -	DRAWING FILE NAME:	
		PM6-2748	

**SPECIAL UNITS ARE NON-RETURNABLE
 *AVAILABLE AT ADDITIONAL COSTS